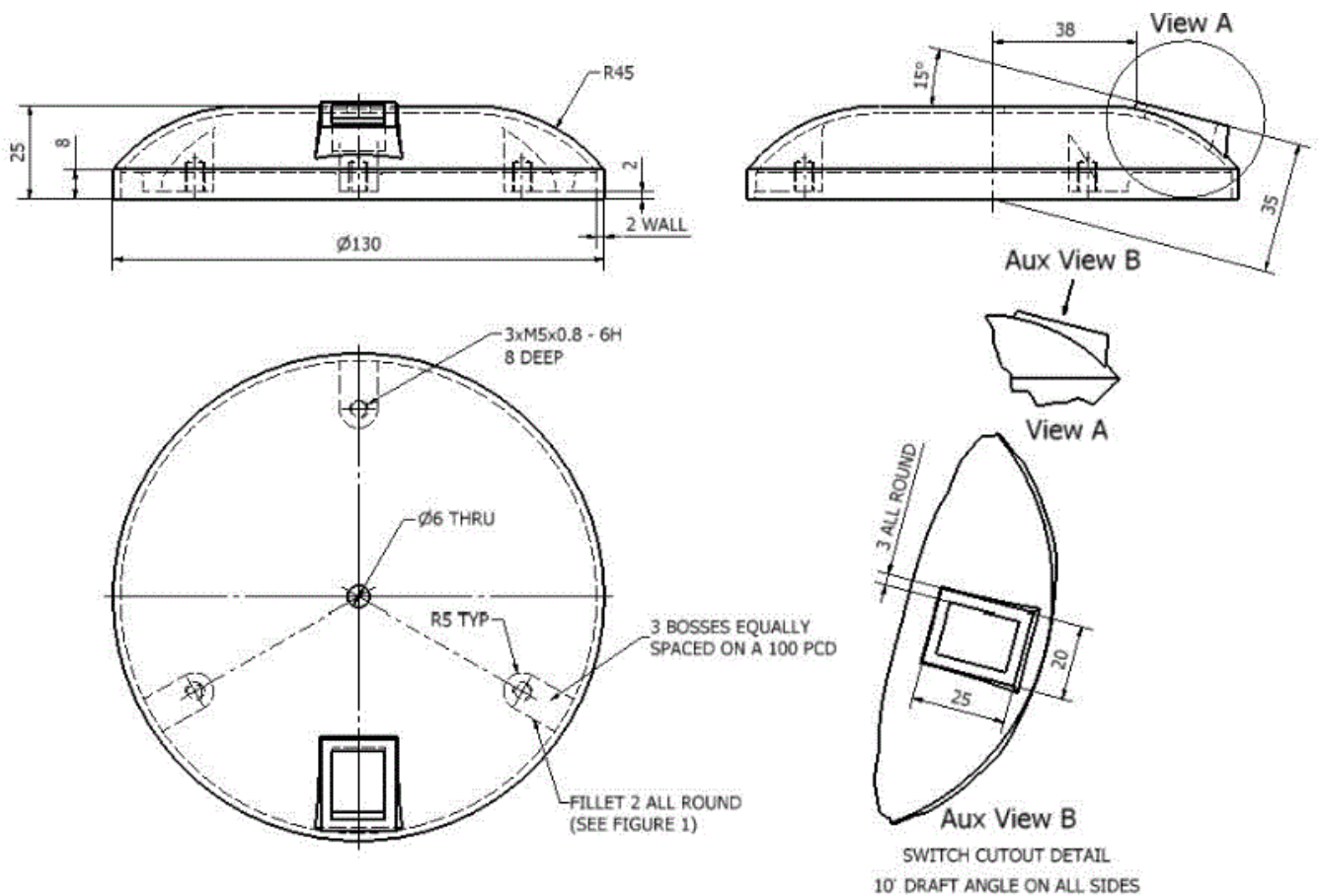




TUTORIAL 11



1 - Create the part based on the dimensions shown above.

2 – Save the part as Tutorial 11.ipt for handing in.

This part file will also be used in Tutorial 14